

IR4000-100 Thermal Imaging Camera

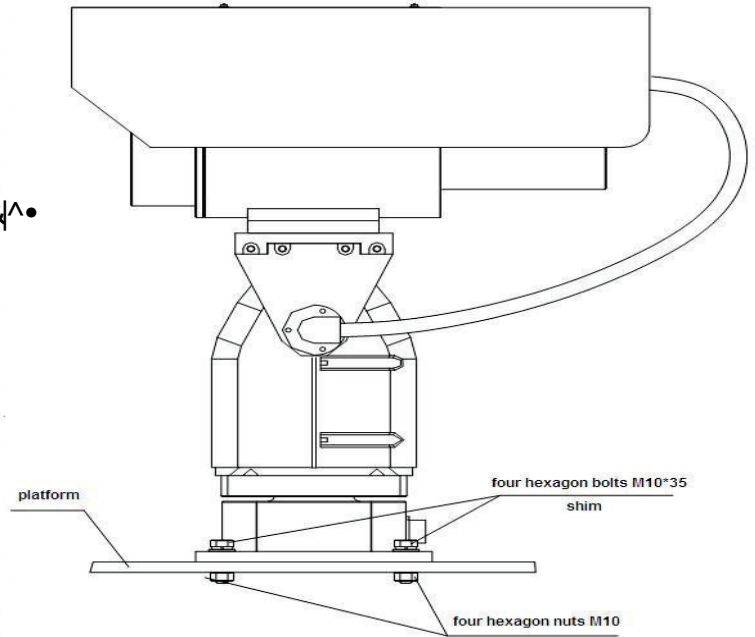
I. Introduction

II. Main Use

- Frontier and coast defense, Border defense
- Oilfields, Railways, Airports, Harbors, Fireproofing, Large areas real-time monitoring

III. Technical

Specifications



MODEL IR 4000-100

Unique Features(Optional): Lens: 20~100mm, F1.2 GE lens, FOV 36°×27°~7.0°×5.6°;5x Continuous Zoom

Effecting Distance

Detecting distance: 4400m for vehicles, 1600m for people in total darkness;

Recognition distance: 1100m for vehicles and 400m for people in total darkness;

Identification distance: 600m for vehicles and 200m for people in total darkness.